



Wasser erleben

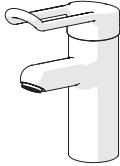
HANSAMEDIPRO

INSTALLATION AND MAINTENANCE GUIDE



Contents

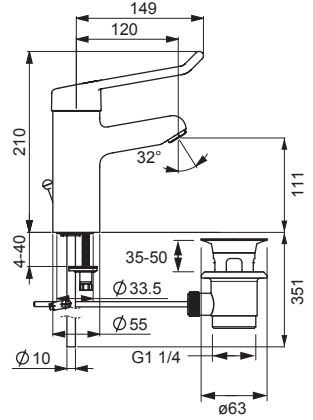
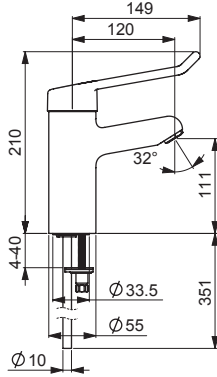
CZ Obsah	FR Sommaire	IT Indice	RO Cuprins
DE Inhaltsübersicht	GR Περιεχόμενα	NL Inhoud	SK Obsah
ES Contenidos	HU Tartalom	PT Conteúdo	



Technical data.....	4-5
Installation	6-9
Operation.....	10
Maintenance.....	11-14

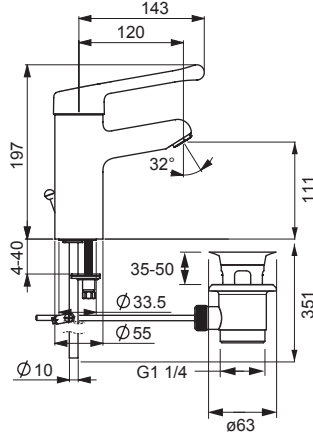
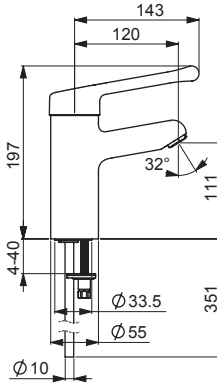
0162 2195, 0161 2105

EN 817
 50 - 1000 kPa
 0.2 l/s (300 kPa)
 80 kPa (0.1 l/s)
 max. +80°C



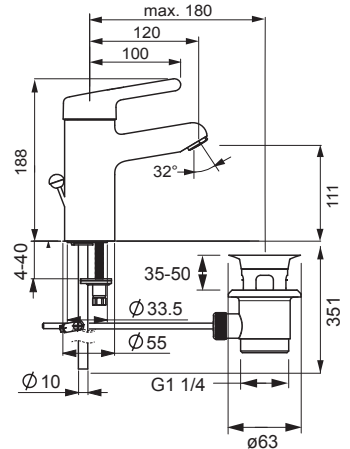
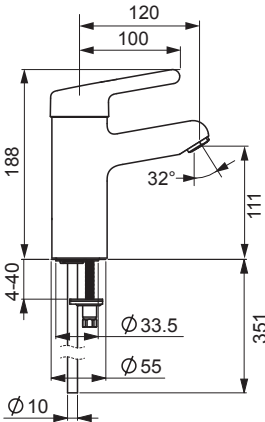
0162 2196, 0161 2106

EN 817
 50 - 1000 kPa
 0.2 l/s (300 kPa)
 80 kPa (0.1 l/s)
 max. +80°C



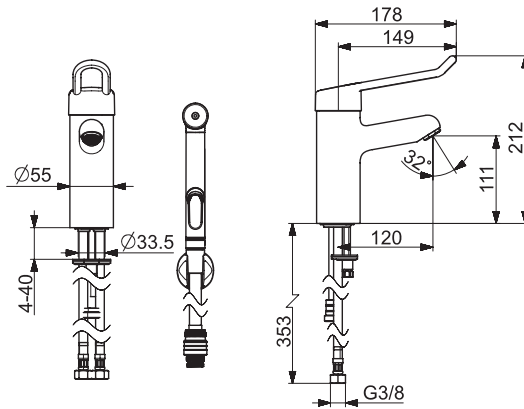
0162 2193, 0161 2103

EN 817
 50 - 1000 kPa
 0.2 l/s (300 kPa)
 max. +80°C



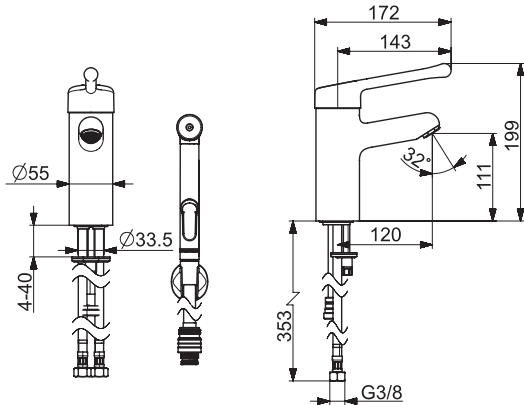
0166 2295

EN 817
 50 - 1000 kPa
 0.13 l/s (300 kPa)
 180 kPa (0.1 l/s)
 max. +80°C



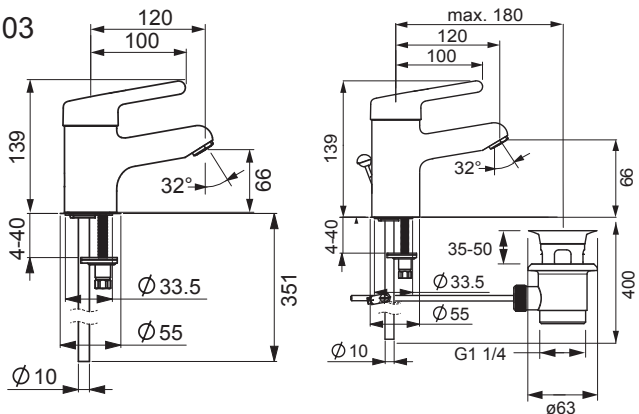
0166 2296

EN 817
 50 - 1000 kPa
 0.13 l/s (300 kPa)
 180 kPa (0.1 l/s)
 max. +80°C



0164 2103, 0163 2103

EN 817
 50 - 1000 kPa
 0.2 l/s (300 kPa)
 max. +80°C



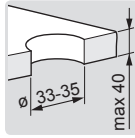
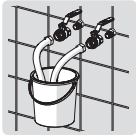
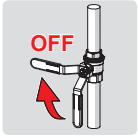
Installation

CZ Montáž
DE Montage
ES Montaje

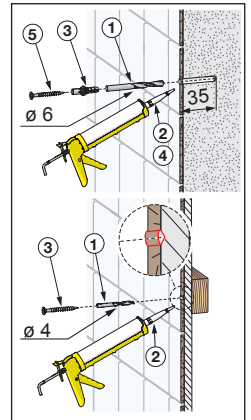
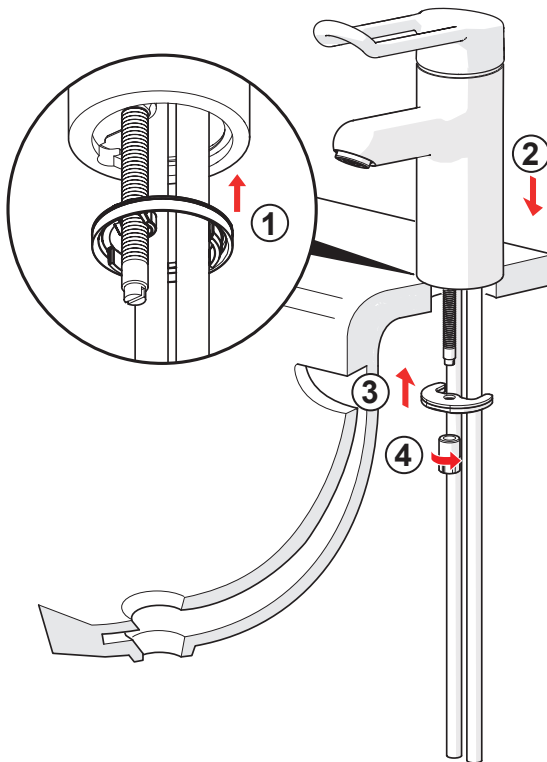
FR Installation
GR Συναρμολόγηση
HU Szerelés

IT Montaggio
NL Installatie
PT Instruções

RO Instalare
SK Inštalácia



1



Installation

CZ Montáž
DE Montage
ES Montaje

FR Installation
GR Συναρμολόγηση
HU Szerelés

IT Montaggio
NL Installatie
PT Instruções

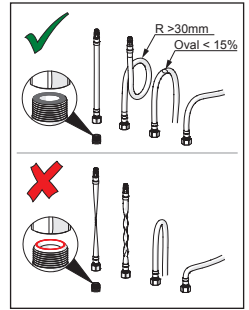
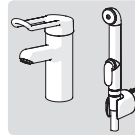
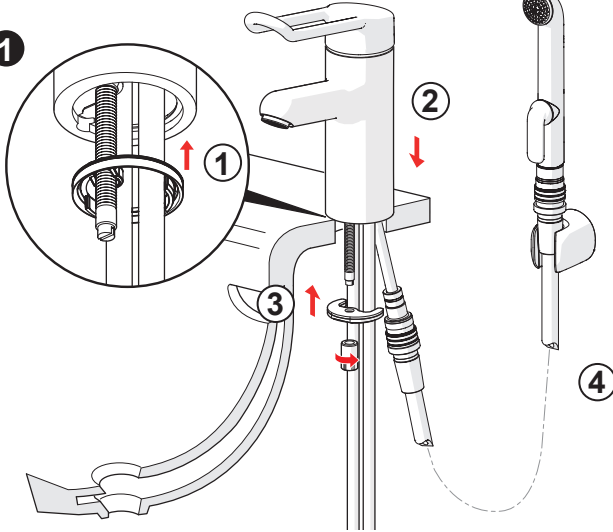
RO Instalare
SK Inštalácia



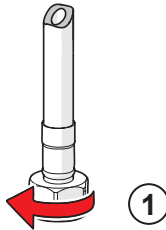
19

①

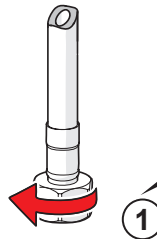
①



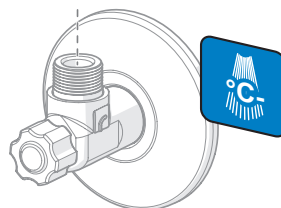
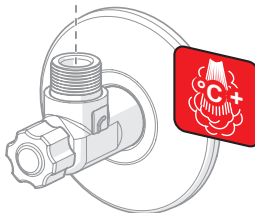
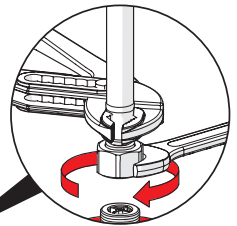
②



①



①



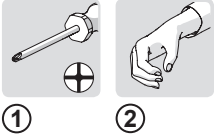
Installation

CZ Montáž
DE Montage
ES Montaje

FR Installation
GR Συναρμολόγηση
HU Szerelés

IT Montaggio
NL Installatie
PT Instruções

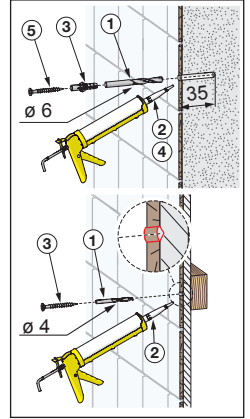
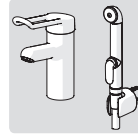
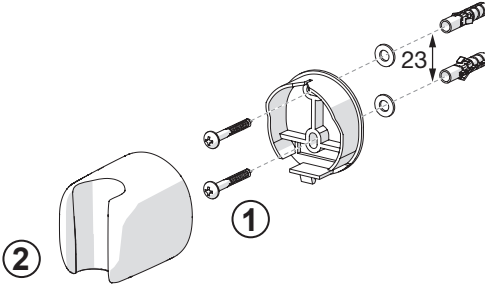
RO Instalare
SK Inštalácia



①

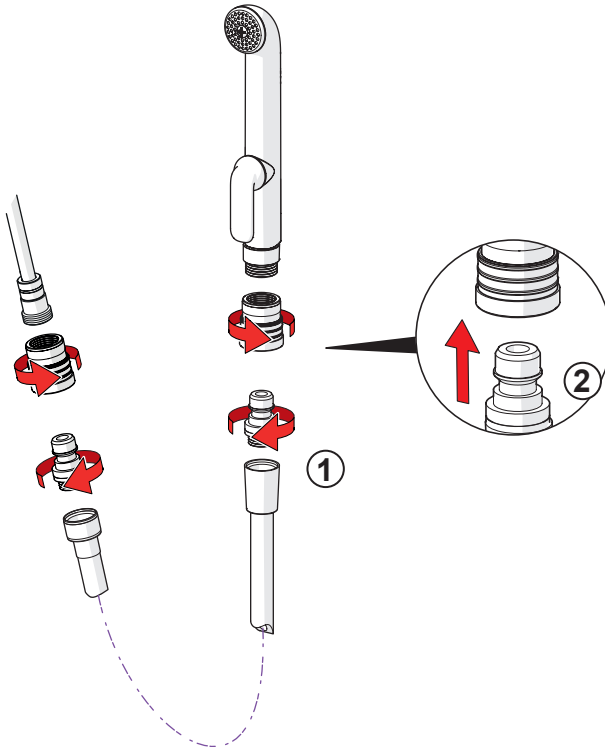
②

③



①

②



①

②

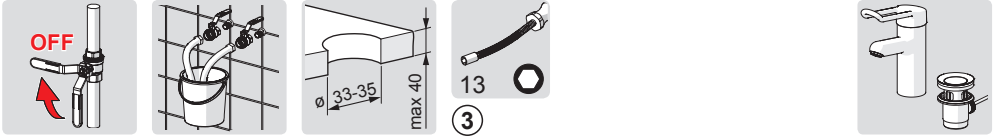
Installation

CZ Montáž
DE Montage
ES Montaje

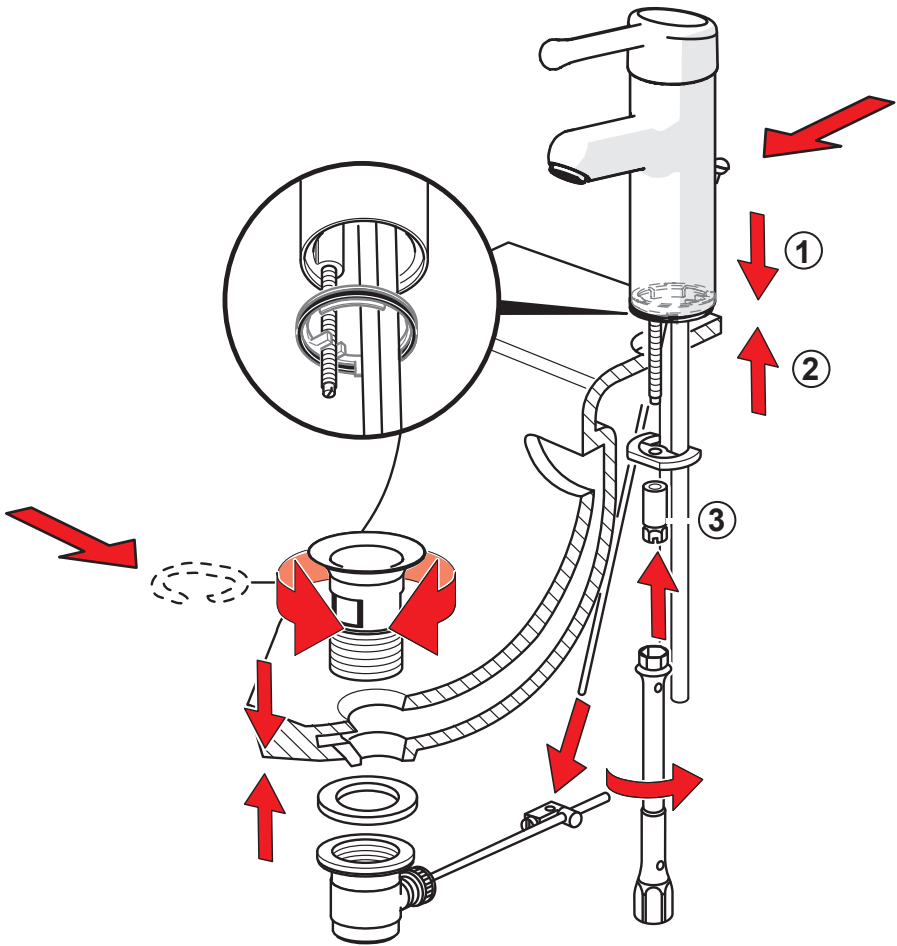
FR Installation
GR Συναρμολόγηση
HU Szerelés

IT Montaggio
NL Installatie
PT Instruções

RO Instalare
SK Inštalácia



1



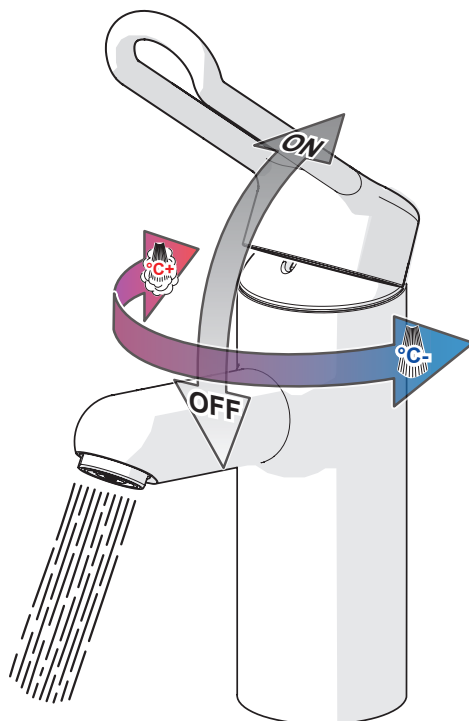
Operation

CZ Funkce
DE Funktion
ES Servicio

FR Utilisation
GR Λειτουργία
HU Üzemeltetés

IT Funzionamento
NL Bediening
PT Funcionamento

RO Funcționare
SK Prevádzka



Changing the cartridge

CZ Výměna kartuše

DE Wechsel der Patrone

ES Montaje del cartucho

FR Montage et démontage de la cartouche

GR Αντικατάσταση του στοιχείου

HU A patron cseréje

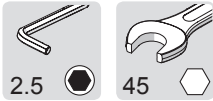
IT Montaggio della cartuccia

NL Vervangen van het keramische binnenwerk

PT Substituição do cartucho

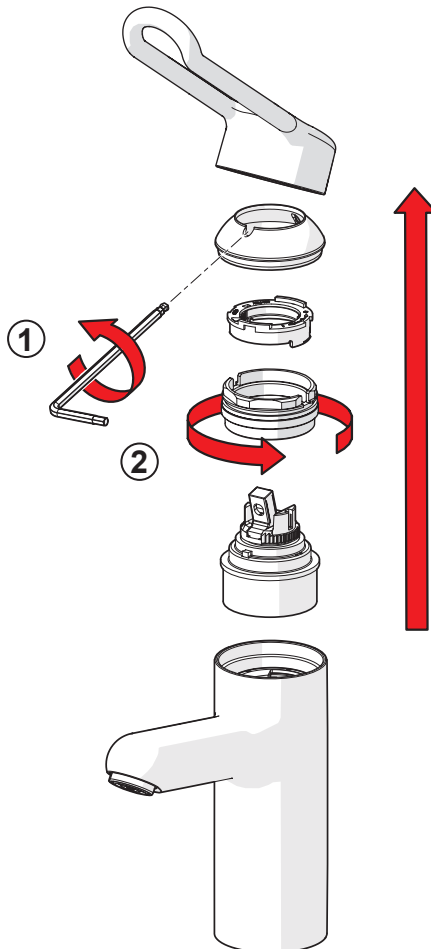
RO Înlocuirea cartuşului

SK Výměna kartuše



①

②



Limiting temperature

CZ Omezení teploty vody

DE Temperaturbegrenzung

ES Limitación de la temperatura

FR Limitation de la température

GR Περιορισμός θερμοκρασίας

HU A hőmérséklet határolása

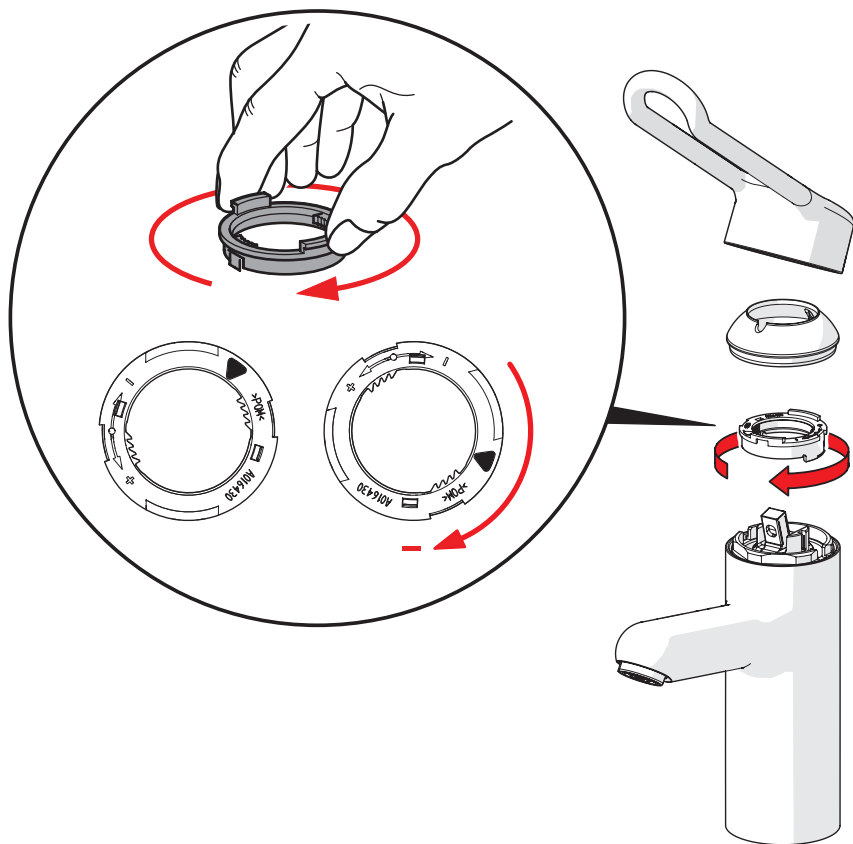
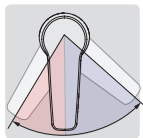
IT Limitazione della temperatura

NL Perlator vervangent

PT Limitar a temperatura

RO Limitarea temperaturii

SK Obmedzenie teploty



Limiting the flow rate

CZ Omezení průtoku

DE Begrenzung der Durchflußmenge

ES Limitación de la tasa de flujo

FR Limitation du débit

GR Περιορισμός ρυθμού ροής

HU Az áramlás határolása

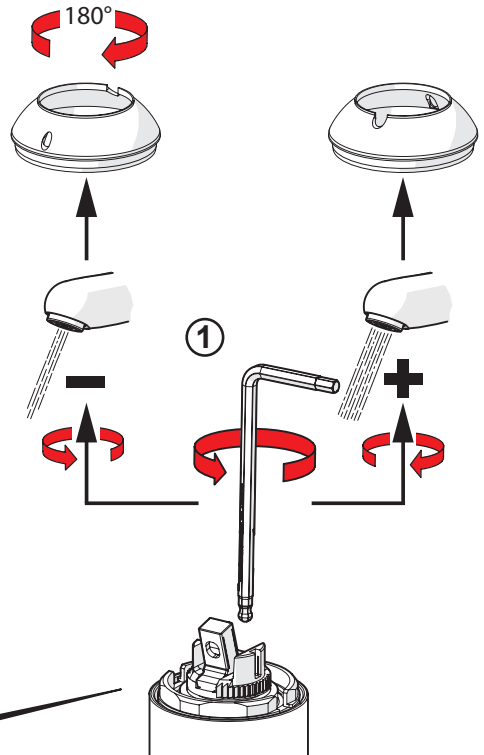
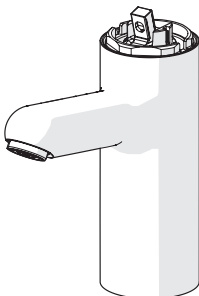
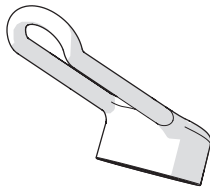
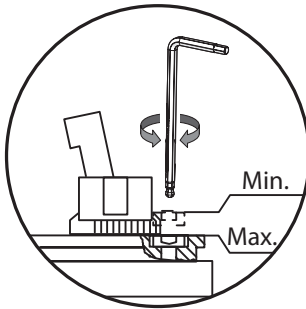
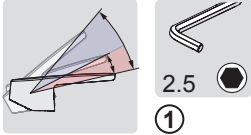
IT Limitazione della portata

NL Begrenzing van de doorstroomhoeveelheid

PT Limitar o caudal

RO Limitarea debitului

SK Obmedzenie prietoku



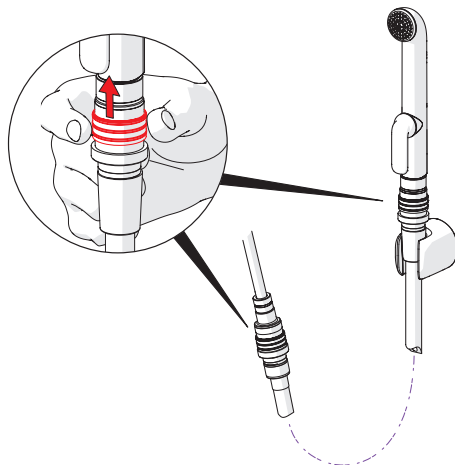
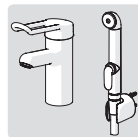
Cleaning

CZ Čištění
DE Reinigung
ES Limpieza

FR Nettoyage
GR Καθαρίσμα
HU Tisztítás

IT Pulizia
NL Reinigen
PT Limpeza

RO Curățire
SK Čistenie

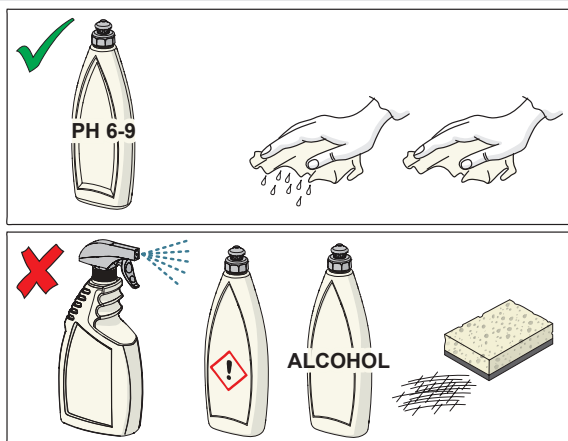


Cleaning the faucet

CZ Čištění baterie
DE Reinigung der Armatur
ES Limpieza de la grifería
FR Nettoyage du robinet

GR Καθαρισμός του βρύση
HU Takarítás a csapot
IT Pulizia della rubinetteria
NL Reinigen van de kraan

PT Limpeza da torneira
RO Curățire
SK Čistenie vodovodnej batérie



Oras Group is a powerful European provider of sanitary fittings: the market leader in the Nordics and a leading company in Continental Europe. The company's mission is to make the use of water easy and sustainable and its vision is to become the European leader of advanced sanitary fittings. Oras Group has two strong brands, Oras and Hansa.

The head office of the Group is located in Rauma, Finland, and the Group has four manufacturing sites: Burglengenfeld (Germany), Kralovice (Czech Republic), Olesno (Poland) and Rauma (Finland). Oras Group employs approximately 1400 people in twenty countries. Oras Group is owned by Oras Invest, a family company and an industrial owner.

HANSA Armaturen GmbH
P. O. BOX 81 02 40
D-70519 Stuttgart

Sigmaringer Strasse 107
D-70567 Stuttgart
Tel.: +49 711 16 14 0
Fax: +49 711 16 14 368
info@hansa.de

www.hansa.com



a member of  orasgroup