

Product: **KLUDI control unit for single lever mixer Ø 25 mm**

Ref.: **7486800-00**

**Product description**

control unit for single lever mixer  
 ceramic cartridge  
 diameter 25 mm  
 in accordance to DIN EN 817

Finishes:  
 00

Product picture

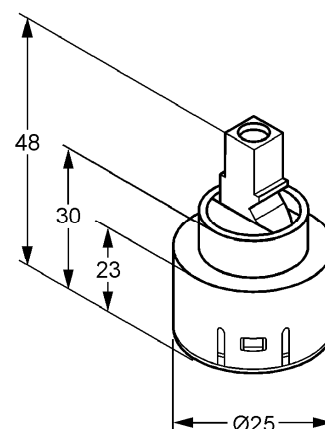


**Advertisement**

- \* KLUDI GmbH & Co KG KLUDI control unit 25 mm item no. 7486800-00
- \*\* ceramic cartridge Ø 25 mm, DIN EN 817

control unit 25 mm, manufacturer KLUDI GmbH & Co KG KLUDI control unit Ø 25 mm item no. 7486800-00, ceramic /plastic, acc. to DIN EN 817, DVGW, diameter Ø 25 mm, in acc. to drinking water order , max. operating temperature 90°C, max. test pressure 25 bar, max. operating pressure 10 bar / for operating pressure above 5 bar use pressure regulator to keep noise level acc. to DIN 4109, tested by KLUDI GmbH in accordance to DIN EN 817 with 70 000 cycles, to save energy and to protect for scald we recommend max. 65 °C stored temperature, PN 10,

Dimensional drawing



Flow rate diagram

