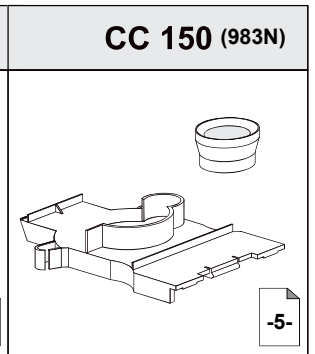
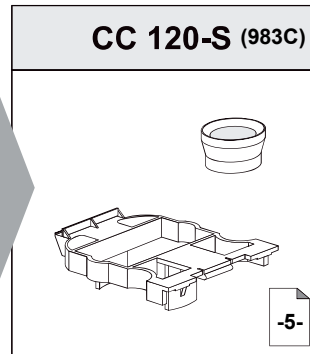
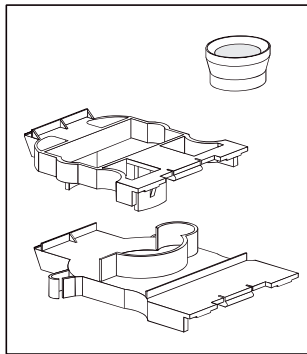
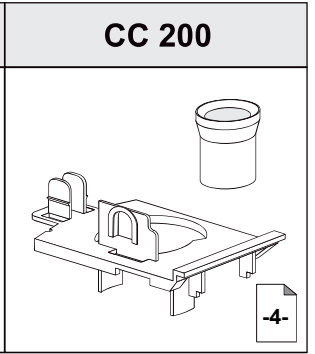
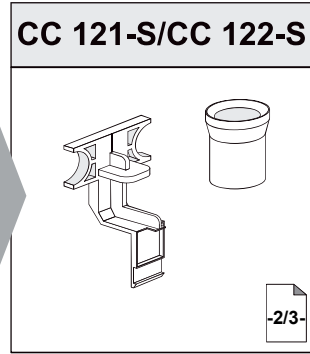
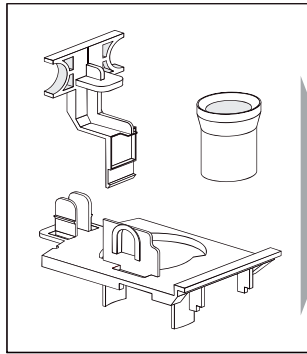


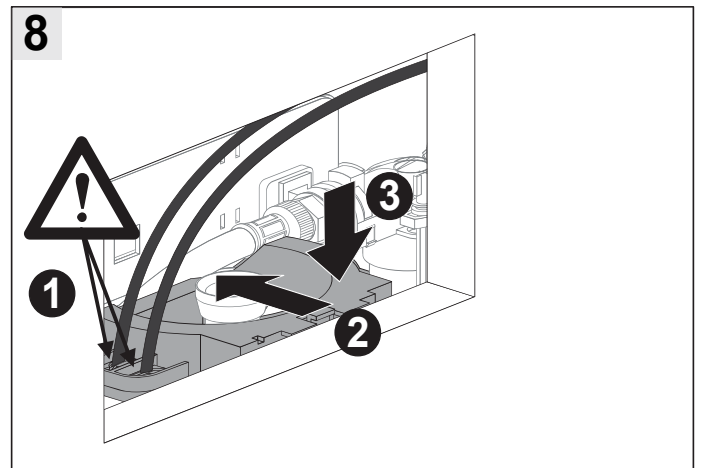
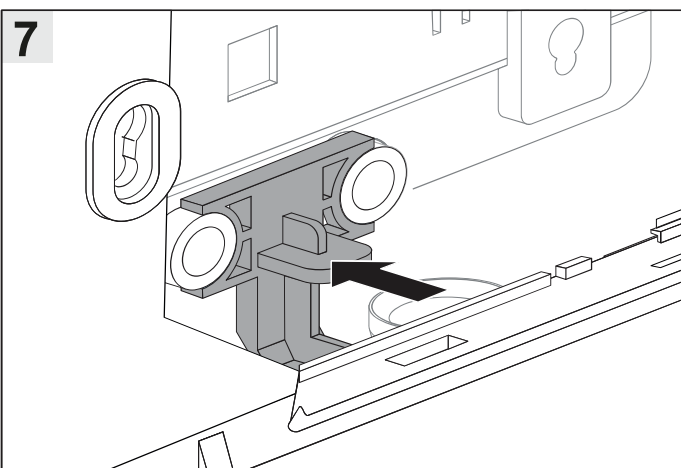
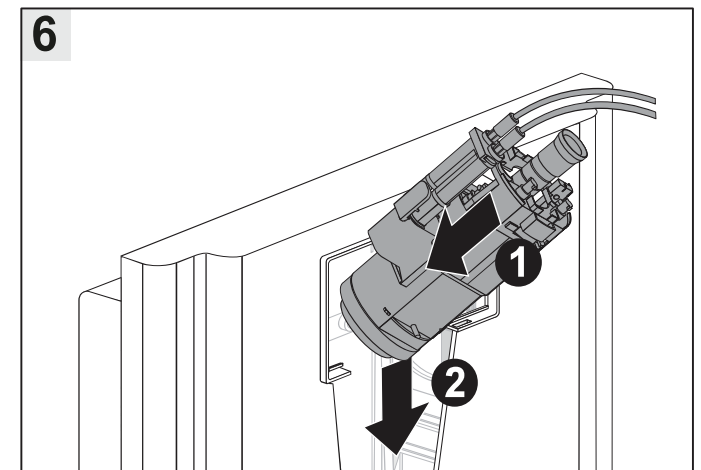
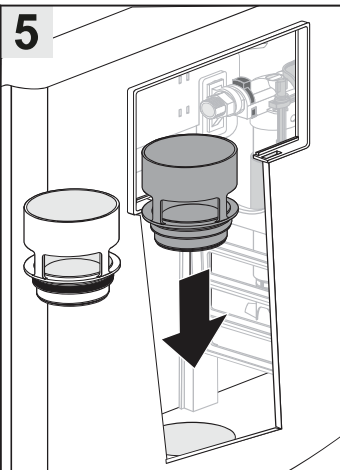
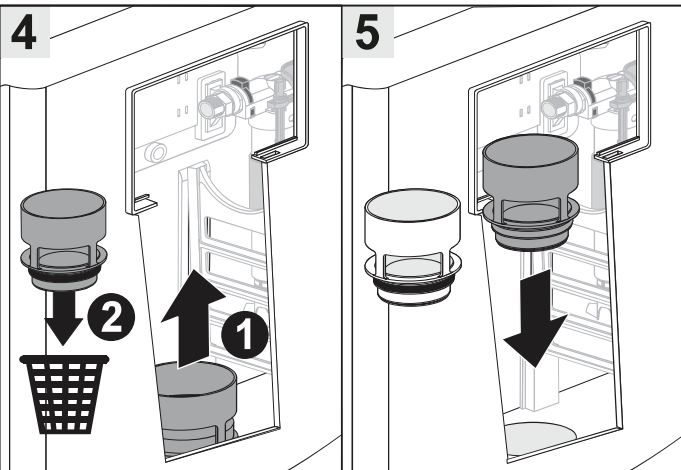
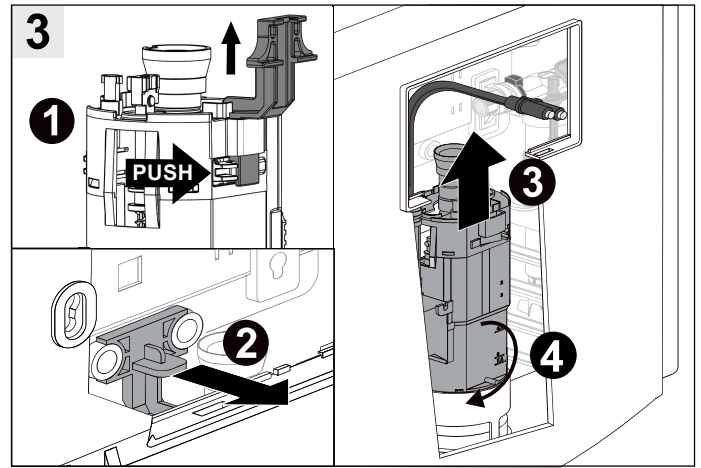
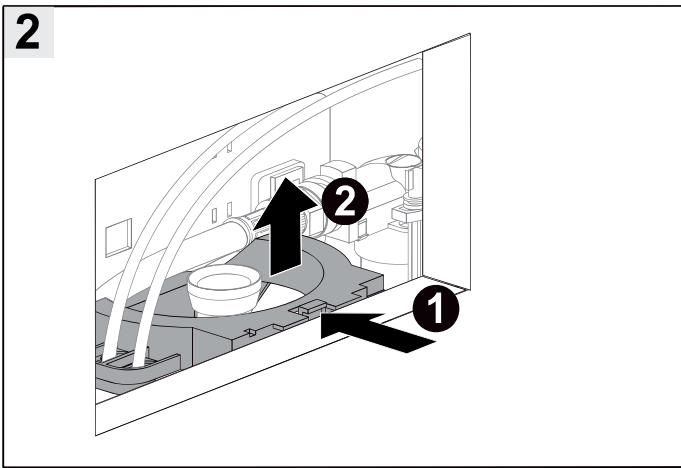
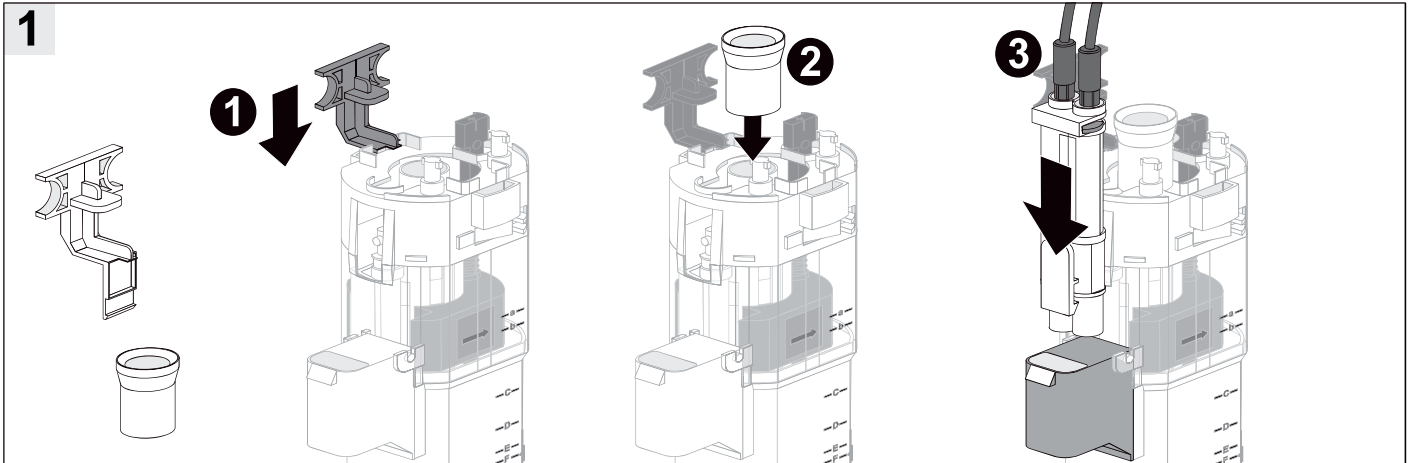
CC122-S-UO-2V-2C Ser.-Nr:		CC 200
CC121-S-FO-2V-2C Ser.-Nr:		CC 120-S (983C)
CC200-S-FO-2V-2C Ser.-Nr:		CC 150 (983N)
CC120-S-FO-2V-2C Ser.-Nr:		
CC150-S-FO-2V-2C Ser.-Nr:		



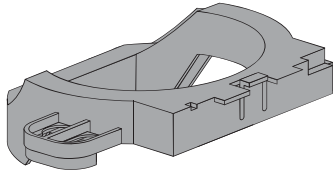
	CC 121-S CC 122-S	CC 150	CC 120-S CC 200
a	2 L		
b	3 L	3 L	3 L
C	4 L		
D		6 L	
E	6 L		
F	7 L	9 L	6 L

	<h>h = 820 mm/985 mm</h>	<h>h = 1120 mm/1185 mm</h>
--	--------------------------	----------------------------

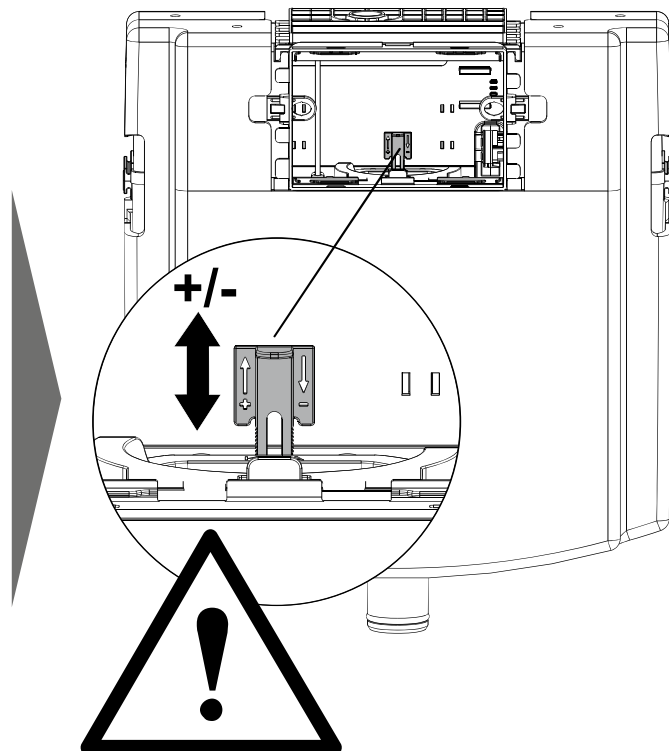
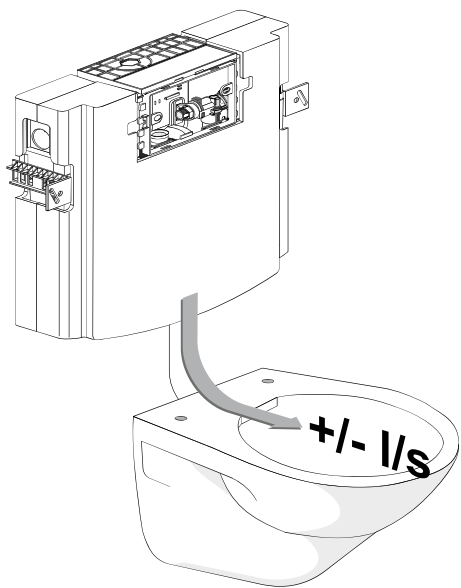
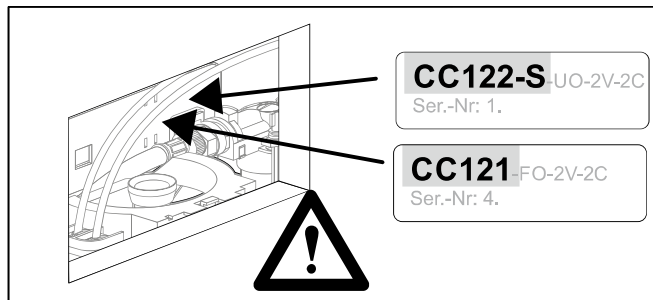
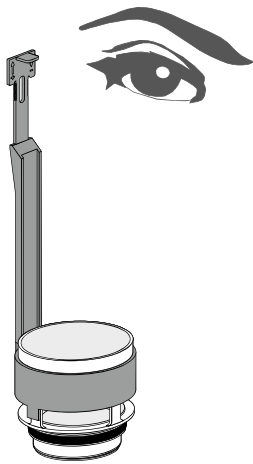
CC 121-S
CC 122-S



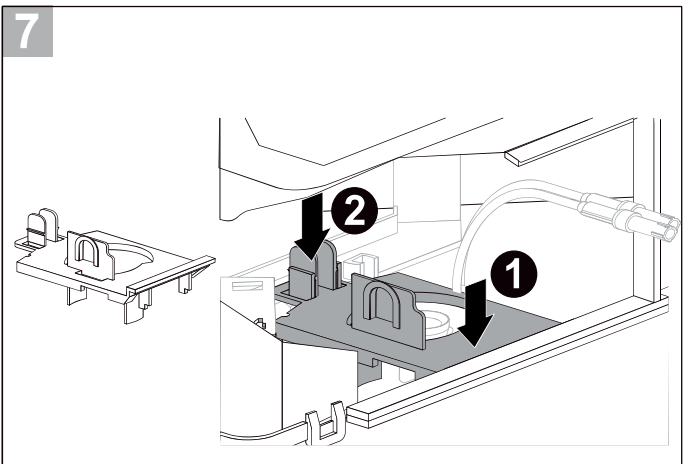
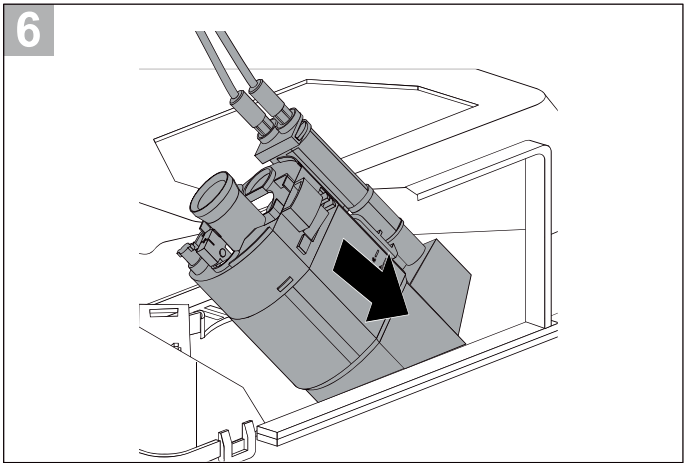
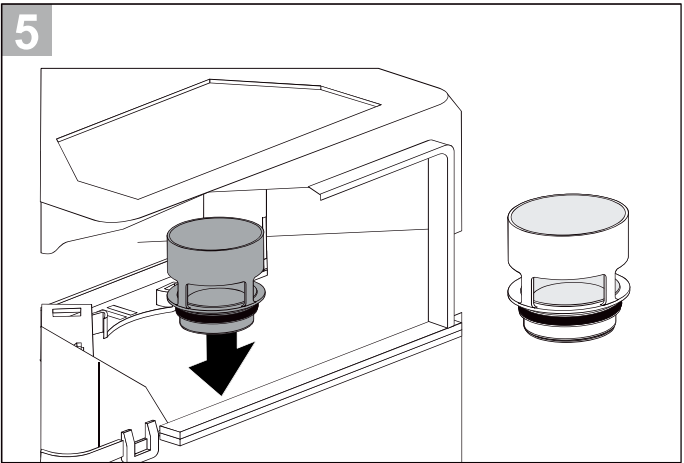
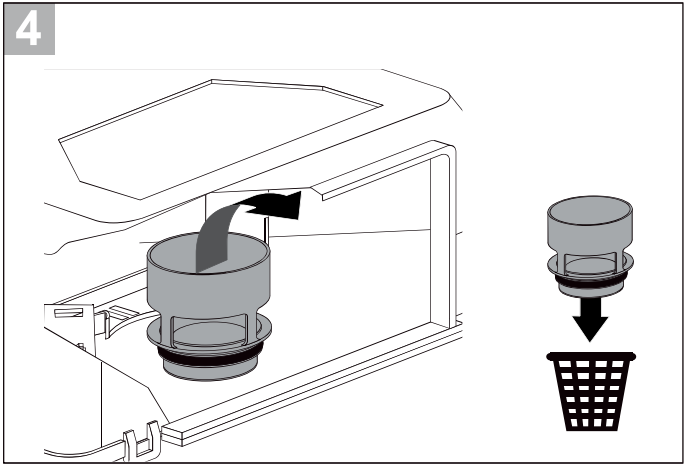
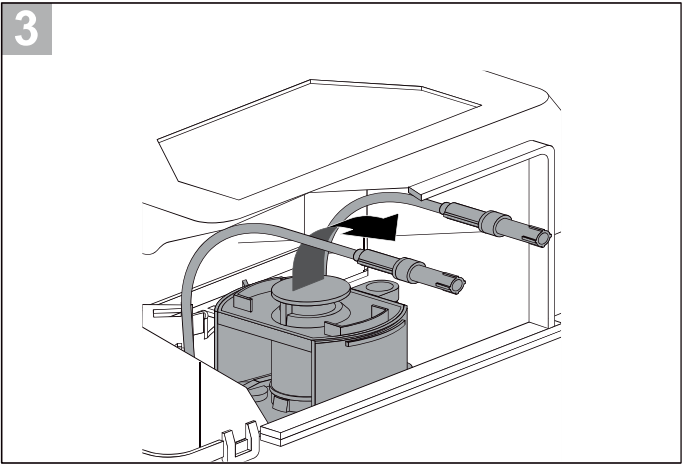
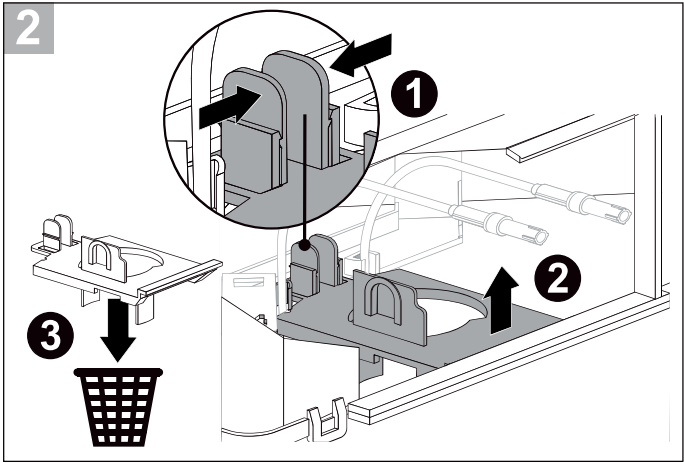
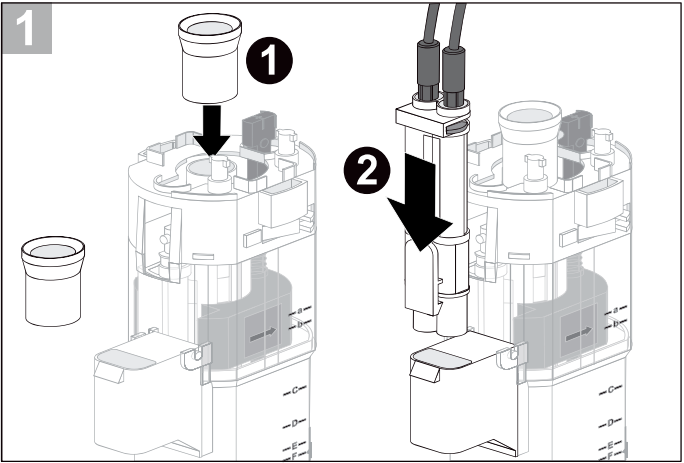
Art.-Nr. 04.204.00..0000



CC 121-S
CC 122-S



CC 200



CC 120-S (983C)
CC 150-S (983N)

