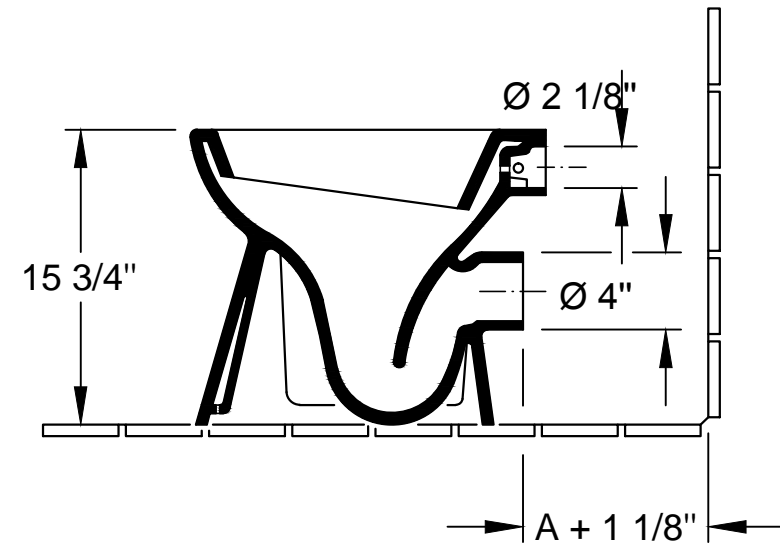
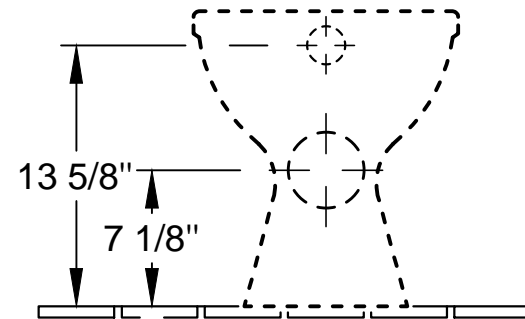
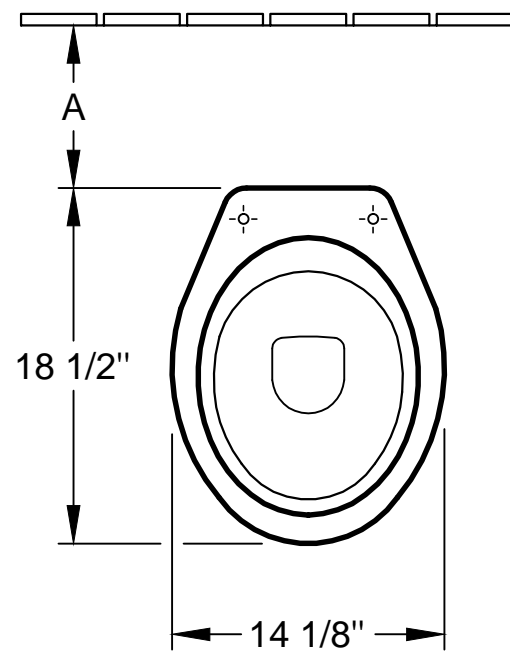


A = dependent on the flushing device used



Designation
SAVAL 2.0 / VOLTA+
 7G64 01 / 10 - Washdown WC



Altered:	22.03.2017	Approved by:	
		Date:	
		Signed:	RH
		Date:	10.2004

This drawing may not be copied or passed on to third parties or competitive companies without our permission. Villeroy & Boch accepts no liability whatsoever for these data and technical drawings. Other parties use them at their own risk. The dimensions indicated are not binding. Villeroy & Boch reserves the right to make product changes.