

Datasheet



Clinic Snap HONEYCOMB® Aerator STD Size

flow, stop and go®



Materials used
Body: POM
O-Ring: EPDM



Laminar stream

Model Overview

Flow rate/Color	Item No.	Wetted Surface (in mm ²)
Z* / red	01.3631.000	4212
Z / yellow	01.3632.000	4212
Z / blue	01.3633.000	4212
Z / green	01.3634.000	4212
Z / grey	01.3635.000	4212

*in combination with adapter: Z (7.5-9 l/min.)

Assembly Instructions

Clinic Snap aerators can be easily (dis)assembled by hand (snap-fit) by slightly twisting the colored insert until a click is audible. In addition, a special NEOPERL key (09.9191.0) can be used either to tighten the adapter or to facilitate (dis)assembly of the inserts.



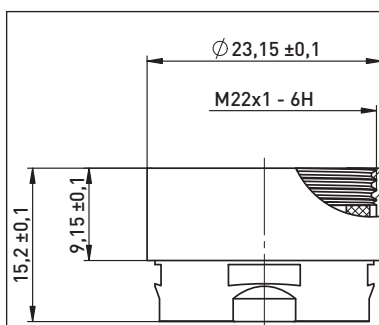
ATTENTION!
Product may not be altered!
May not be used for hot water application exceeding 70°C

Adapters

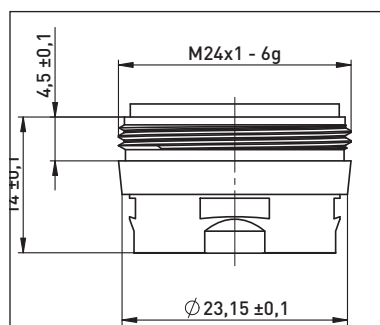
Special metal adapters necessary with the following thread sizes (including silicone washer):

- M24x1: 01.9013.000
- M22x1: 01.9007.000

Recommended mounting torque **0.5 Nm max. steadily applied**



Clinic Snap Adapter STD M22x1



Clinic Snap Adapter STD M24x1

Flow rate of the application in combination with adapter: Z (7.5-9 l/min.)

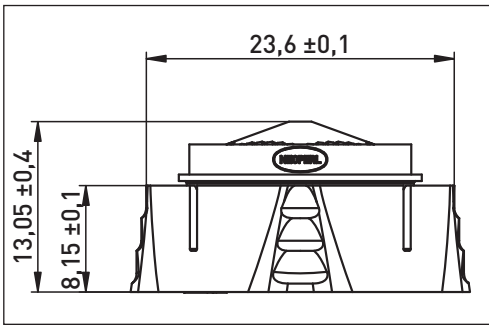
Datasheet

Clinic Snap HONEYCOMB® Aerator STD Size



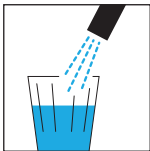
flow, stop and go®

Dimensions

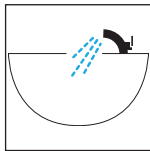


Clinic Snap HONEYCOMB® STD Insert

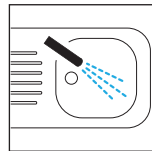
Application Areas



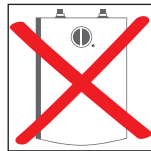
Drinking water only



Bath tap



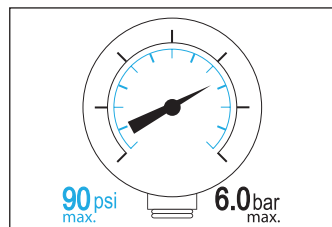
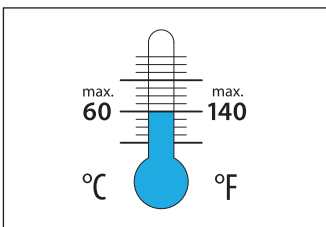
Kitchen tap



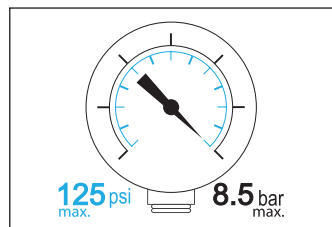
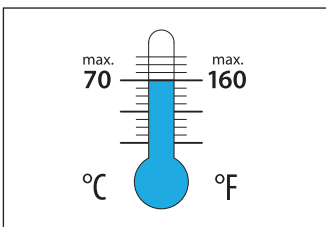
Not suitable for pressureless water heaters

Operating Conditions

Continuous



Short-term (3 minutes max.)



Indicated pressure values refer to supply line pressure.
Avoid water hammer.

Trademarks are registered in various countries